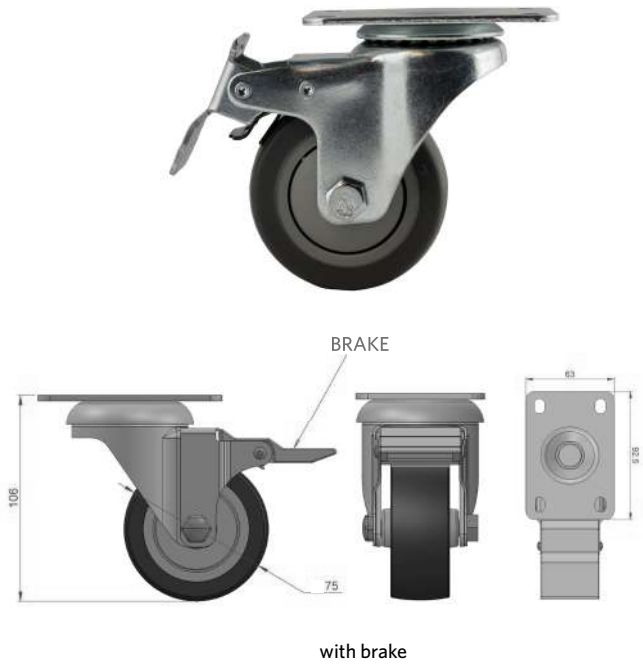


3 INCH CASTER WHEELS WITH AND WITHOUT BRAKE

AMBWB-3, AMBWOB-3

SPECIFICATIONS

Model	AMBWB-3
Load Capacity	220 lbs (100kg)
Materials	Polypropylene / Grey Rubber / Cast Iron
Type of Support	Swivel + Brake
Top Plate (mm)	63x92.5
Bolt Holes Spacing (mm)	73.5/92x45/63
Top Plate Holes (mm)	8.5
Wheel Ball Bearing	Double Ball Bearing



Model	AMBWOB-3
Load Capacity	220 lbs (100kg)
Materials	Polypropylene / Grey Rubber / Cast Iron
Type of Support	Swivel
Top Plate (mm)	63x92.5
Bolt Holes Spacing (mm)	73.5/92x45/63
Top Plate Holes (mm)	8.5
Wheel Ball Bearing	Double Ball Bearing

