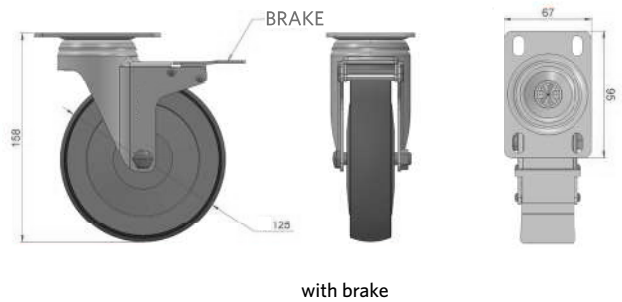


# 5 INCH CASTER WHEELS WITH AND WITHOUT BRAKE

## AMBWB-5, AMBWOB-5

### SPECIFICATIONS

<b>Model</b>	AMBWB-5
<b>Load Capacity</b>	220 lbs (100kg)
<b>Materials</b>	Polypropylene / Grey Rubber / Cast Iron
<b>Type of Support</b>	Swivel + Brake
<b>Top Plate (mm)</b>	67x95
<b>Bolt Holes Spacing (mm)</b>	73.5/92x45/63
<b>Top Plate Holes (mm)</b>	8.5
<b>Wheel Ball Bearing</b>	Double Ball Bearing



<b>Model</b>	AMBWOB-5
<b>Load Capacity</b>	220 lbs (100kg)
<b>Materials</b>	Polypropylene / Grey Rubber / Cast Iron
<b>Type of Support</b>	Swivel
<b>Top Plate (mm)</b>	67x95
<b>Bolt Holes Spacing (mm)</b>	73.5/92x45/63
<b>Top Plate Holes (mm)</b>	8.5
<b>Wheel Ball Bearing</b>	Double Ball Bearing

