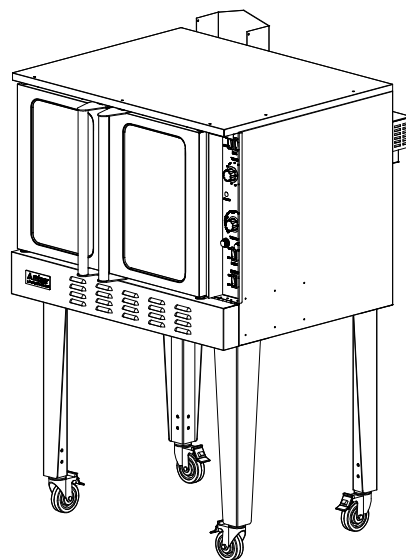


ELECTRIC CONVECTION OVEN 1 CHAMBER 5 RACKS

AMBECO1C-5





1/2 HP, dual speed fan motor (1725/1140rpm) - 2 speed fan switch controls

60 minute manual timer and dial-type electronic thermostat displays °C and °F

Switch for two halogen interior lights

Forced "cool down" for faster cooking time and even temperature

Multifunction Control Board



Oven Interior

Porcelain-enamel oven interior for easy cleaning and durability



Wheels

Four castor wheels with brakes provide the unit with hassle-free mobility



Racks

5 nickel-plated racks with 10 bracket levels, suitable for 26x18" oven pans



Doors

Two independent doors with full view windows



Control Panel

Downward opening control panel for easy service



Material

Stainless steel exterior



TECHNICAL DATA



AMBECO1C-5

BASIC

External Dimension WxDxH (mm)	967x1034x1570
Internal Cavity WxDxH (mm)	740x500x570
Net Weight (kg)	175
Shipping Weight (kg)	228
Packing Dimensions WxDxH (mm)	1080x1220x1000

OVEN DETAILS

Racks	5
Rack Dimension (mm)	713x535
Temperature Range (°C)	66 ~ 260

ELECTRICAL DATA

Heating Power (KW)	10
Power Supply	400V / 50Hz
Current	31A / 3PH

CLEARANCES

	Combustible	Non-Combustible
Right Side	1"	0"
Left Side	1"	0"
Rear	3"	3"
Floor	8"	8"

- * This product is NOT approved for residential use.
- * This product must be physically connected or hardwired into the electrical wiring.

AMBECO1C-5

