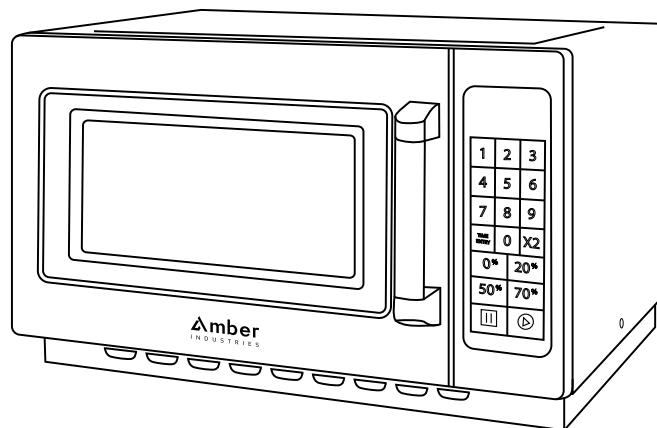
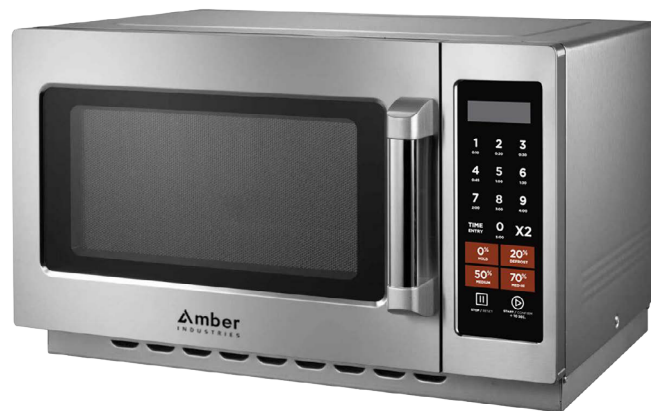


MICROWAVE OVEN

AMBMO34-1000





Cavity Capacity

34-Liter / 1.2 cu.ft. Cavity

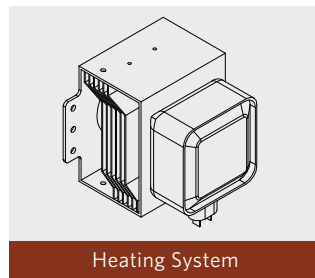
Large internal space accommodates a full 14" (356 mm) platter for commercial foodservice applications.



Cooking Power

High-Performance 1000W Output

Delivers quick, even, and reliable heating for high-volume kitchens.



Heating System

Durable Single Magnetron

Engineered for consistent cooking performance and long operational life.



Control Panel

Commercial-Grade Membrane Touch Controls

Responsive, easy-clean interface with 100 programmable menu items.



Multi-Stage Cooking

3-Stage Cooking with 5 Power Levels

Optimized for reheating, defrosting, and finishing dishes with precision.



Construction

Full Stainless Steel Interior & Exterior

Hygienic, durable, and designed to withstand heavy daily operation.



Door & Handle

Grab-and-Go Reinforced Door Handle

No moving parts — built for fast-paced, quick-service environments.



Dimensions

Compact Footprint Dimensions

Fits standard commercial counters while providing maximum cavity space.

TECHNICAL DATA



AMBMO34-1000

BASIC

External Dimensions WxDxH (mm)	555x468x340
Interior Dimensions WxDxH (mm)	370x385x230
Net Weight (kg)	19.2
Capacity	34L
Packing Dimensions WxDxH (mm)	631x544x418
Shipping Weight (kg)	21.3
20GP/40GP	185/395

INTERIOR DETAILS

Light	LED
Filter Band	Yes

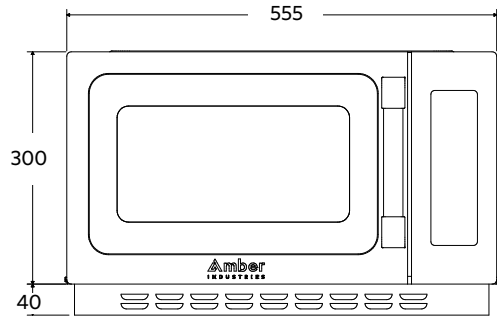
ELECTRICAL DATA

Power Consumption (W)	1500
Cooking Power (W)	1000
Frequency (Hz)	50
Voltage (V)	220-240

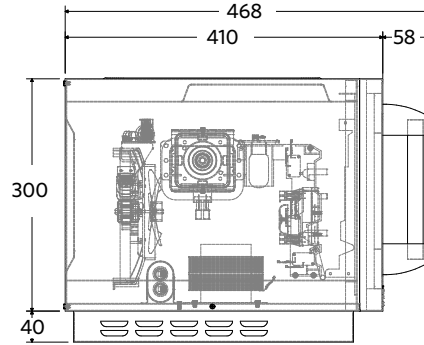
CONTROL PANEL

Programmable Settings	100
Power Levels	5
Stage Cooking Option	3
Control Type	Membrane Touch
Max. Cooking Time (min)	60
Multiple Portion	X2
Cooking End Signal	Yes

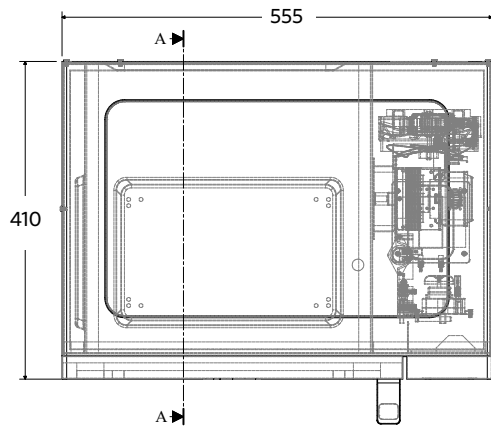
AMBMO34-1000



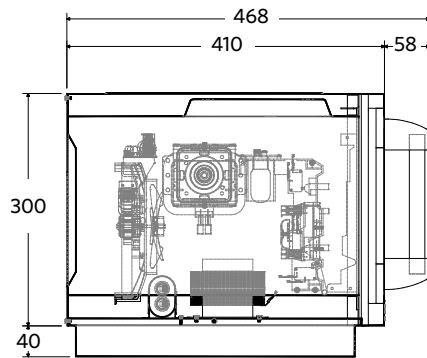
FRONT VIEW



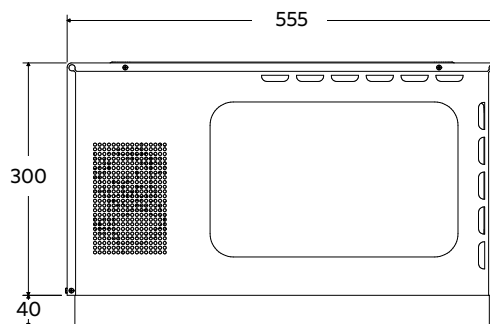
SIDE VIEW



TOP VIEW



SECTION VIEW A-A



REAR VIEW